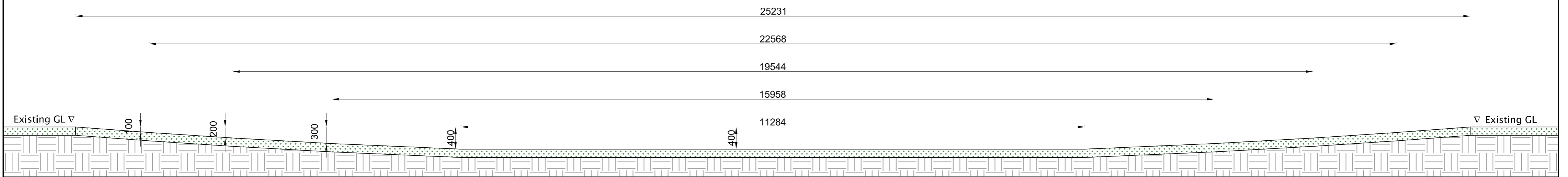
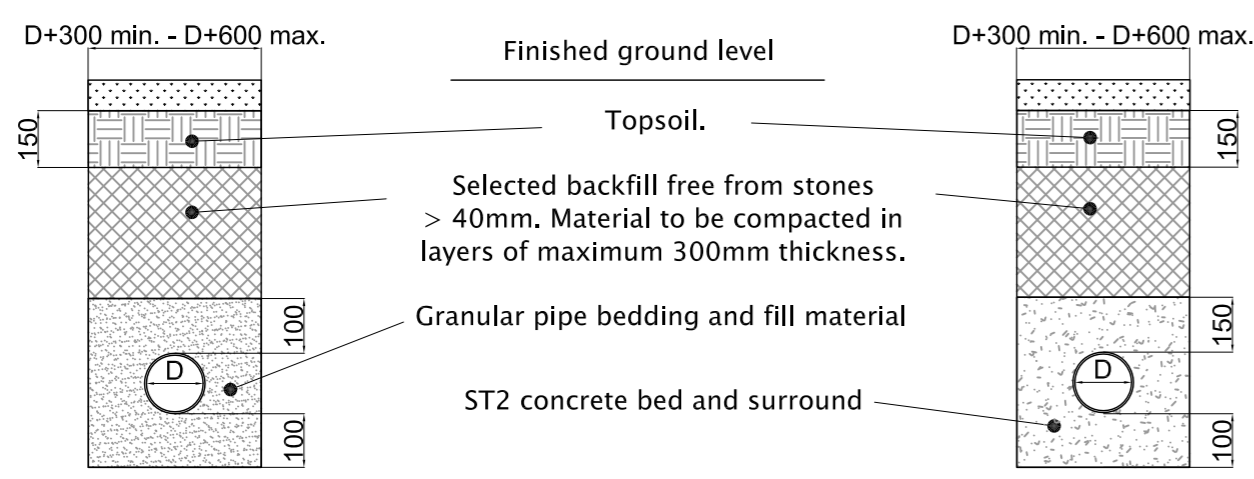


NOTES:

1. DO NOT SCALE - Use figured dimensions only.
2. All dimensions shown are in millimetres unless otherwise stated.
3. All levels are in metres above ordnance datum unless otherwise stated.
4. The Contractor is to verify all dimensions on site before commencing work.
5. This drawing is to be read in conjunction with all Engineers and Architects drawings.
6. Site investigation indicates infiltration rate is 0.05705 m/hr
7. All surface water inspection chambers to have 300mm silt trap sump.
8. All surface water drainage pipes to be 150mm diameter.
9. Surface water drainage pipes to be laid at a gradient no less than 1:150.
10. See SuDS Calculations for Short-Term and Long-Term maintenance schedule.



**TYPICAL SECTION THROUGH GRASSED INFILTRATION BASIN
1:50**

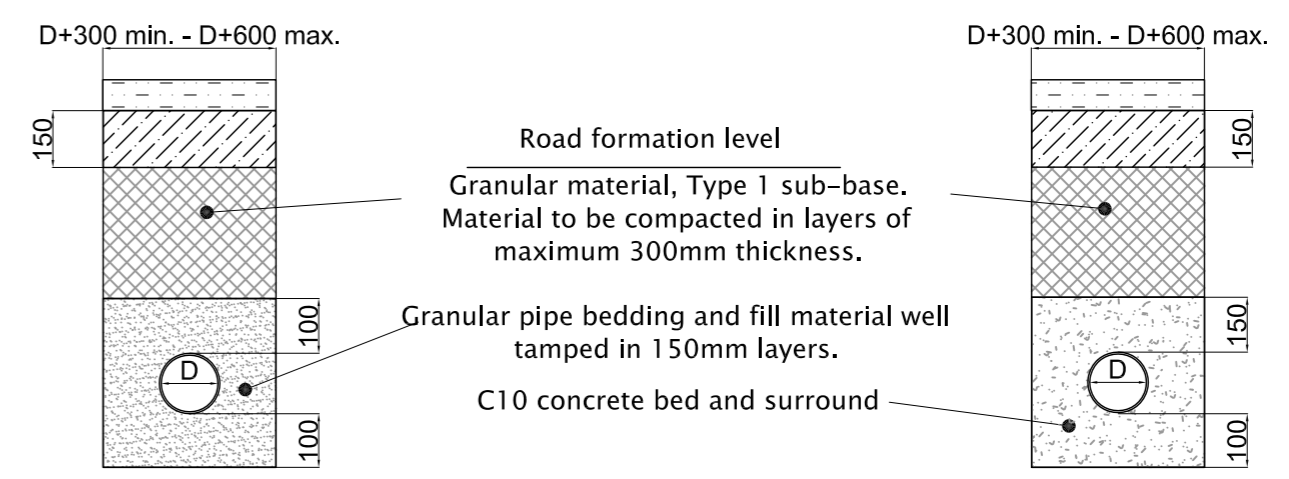


TYPE D5 - More than 900mm cover to top of pipe

TYPE D7 - Less than 900mm cover to top of pipe

Compressible board or joint filler to all joints for full thickness of surround.
Compressible filler shall consist of bitumen impregnated insulating board to BS 1142 : Part 3 or similar.
18mm to <450mm Ø,
36mm to 450mm to 1200mm Ø,
54mm to >1200mm Ø

TYPICAL PIPE BEDDING DETAILS UNDER VERGES AND LANDSCAPED AREAS



TYPE D1 - More than 1200mm cover to top of pipe

TYPE D3 - Less than 1200mm cover to top of pipe

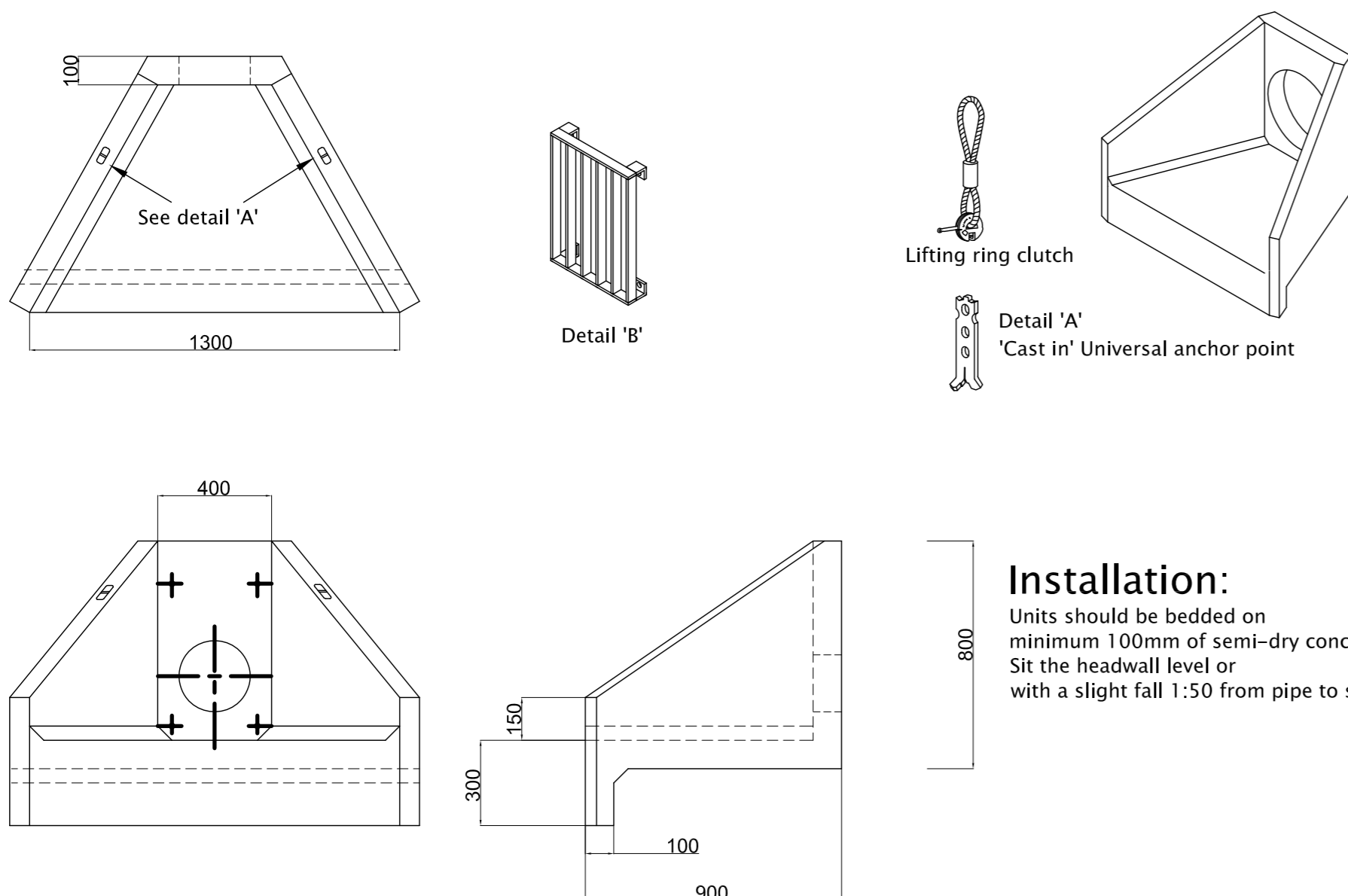
Compressible board or joint filler to all joints for full thickness of surround.
Compressible filler shall consist of bitumen impregnated insulating board to BS 1142 : Part 3 or similar.
18mm to <450mm Ø,
36mm to 450mm to 1200mm Ø,
54mm to >1200mm Ø

TYPICAL PIPE BEDDING DETAILS UNDER ROAD, FOOTWAY AND CYCLEWAY

TYPICAL ALTHON SPILLWAY HEADWALL H3C (DRAINAGE OUTFALL)

Material: Reinforced concrete. Weight approximately 540kg. For full detailed installation instructions contact ALTHON Ltd, 01603 488700

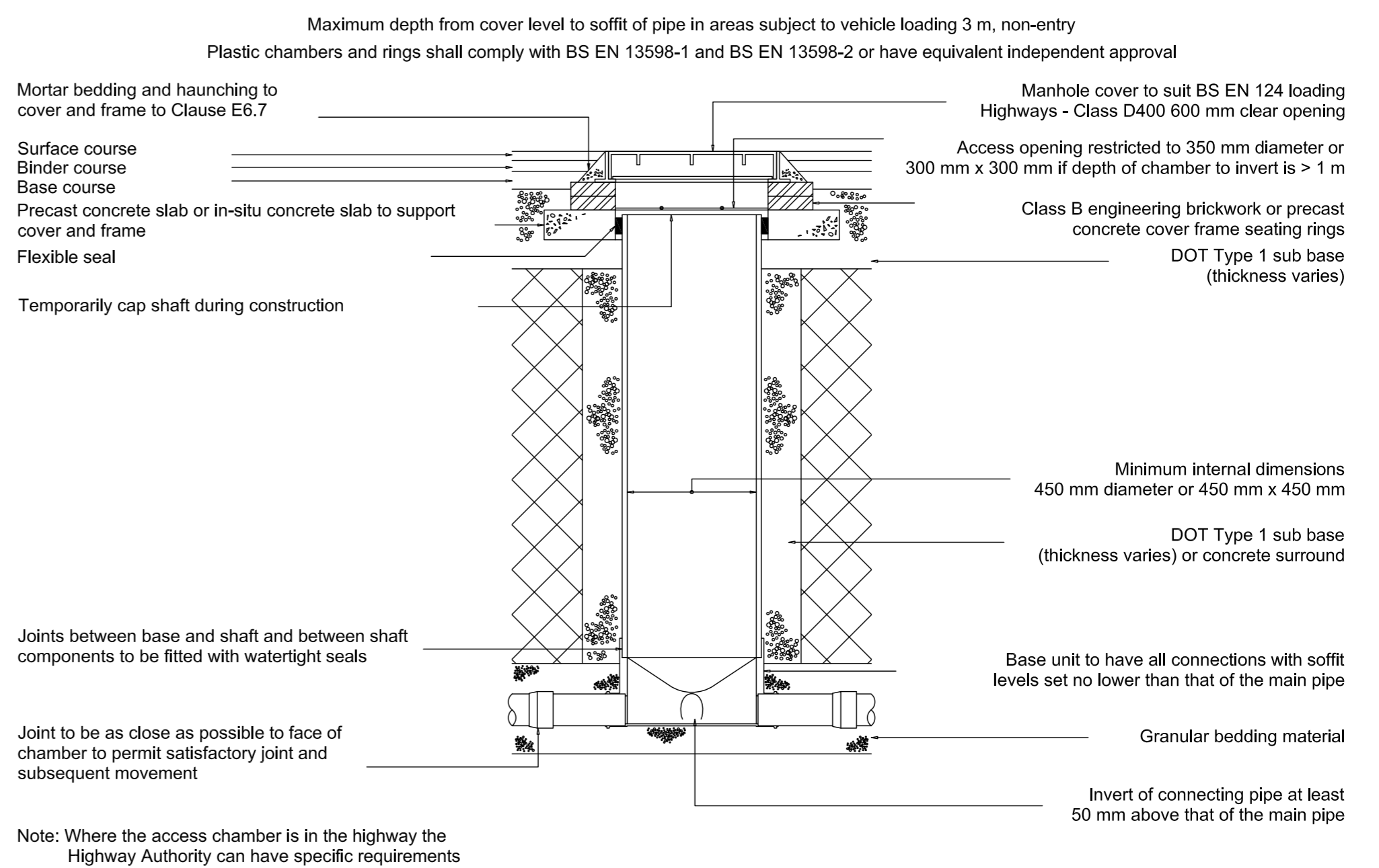
Opening in back wall cast to suit the outside diameter pipe at invert height to opening as required.



Installation:
Units should be bedded on minimum 100mm of semi-dry concrete.
Sit the headwall level or with a slight fall 1:50 from pipe to spill mouth.

FIGURE B.16

TYPICAL INSPECTION CHAMBER DETAIL - TYPE 3 (Flexible material detail)



Note: Where the access chamber is in the highway the Highway Authority can have specific requirements

Client:
Adderbury Parish Council

Project:
Proposed Recreation Ground Land Off
Milton Road, Adderbury, Banbury OX15
FEDS-218132

Title:
Sustainable Drainage System Details

Drawn by: AK	Checked by: DKP	Size: A1
Date: 27.11.18	Scale: 1:50 1:20	
Dwg.no: 218132-002	Rev: A	

Forge Engineering Design Solutions
Forge House
30 Digging Lane
Fyfield, Abingdon
Oxfordshire, OX13 5LY
tel: 01865 362 780
info@f-eds.co.uk
www.f-eds.co.uk